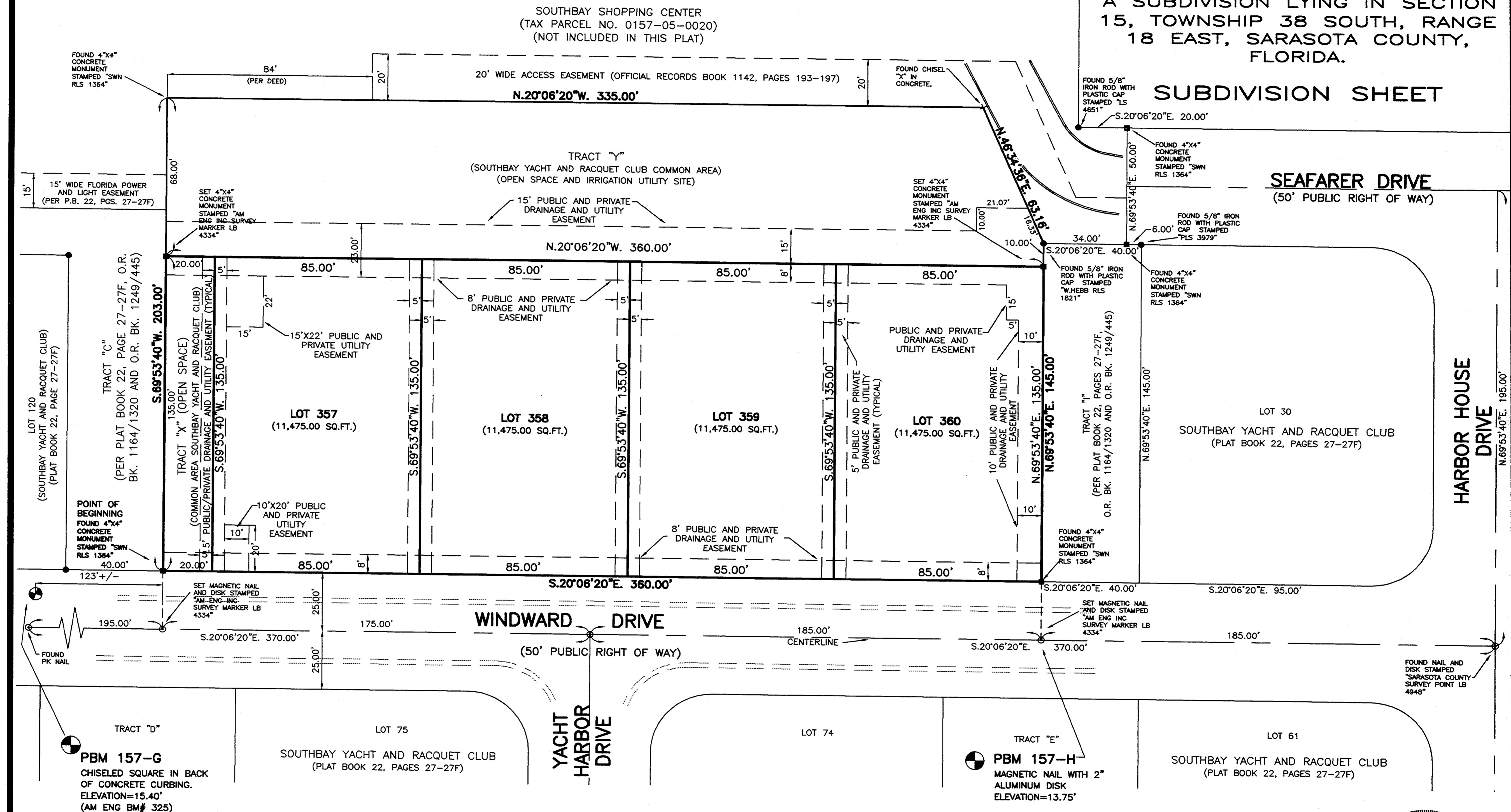
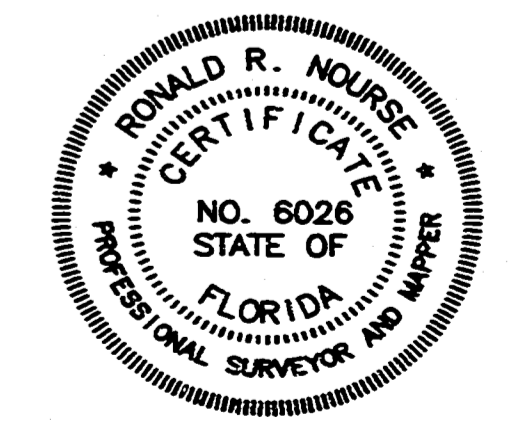
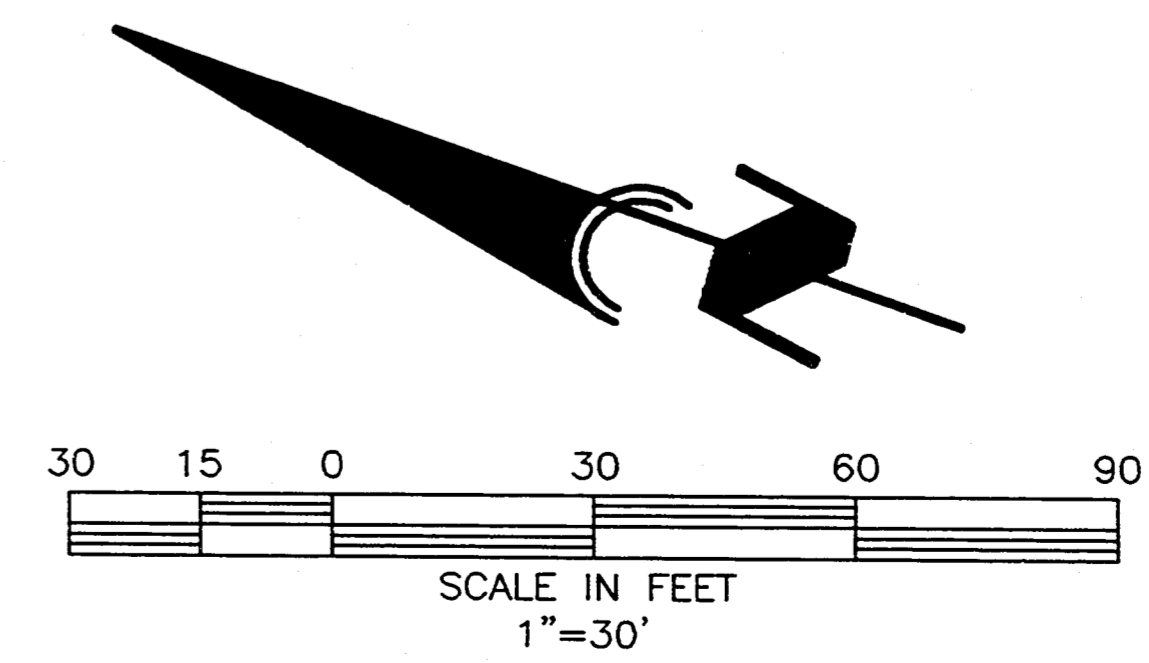


SOUTHBAY YACHT AND RACQUET CLUB UNIT 2
 A SUBDIVISION LYING IN SECTION 15, TOWNSHIP 38 SOUTH, RANGE 18 EAST, SARASOTA COUNTY, FLORIDA.

SUBDIVISION SHEET



- SYMBOL LEGEND**
- (PRM) PERMANENT REFERENCE MONUMENT 4"x4" CONCRETE MONUMENT (STAMPING AS NOTED)
 - ⊙ NAIL AND DISK (DESCRIBED AS NOTED)
 - ⊕ (PBM) PLAT BENCH MARK CHISEL SQUARE IN CURB WITH 1-3/4" ALUM. DISK OR MAGNETIC NAIL WITH 2" ALUMINUM DISK (STAMPING AS NOTED)



ENGINEERING, INC.
 CONSULTING ENGINEERS & SURVEYORS, L.B. 4334
 6320 TOWER LANE
 SARASOTA, FLORIDA, 34240
 PHONE (941) 377-9178
 FAX 378-3786